



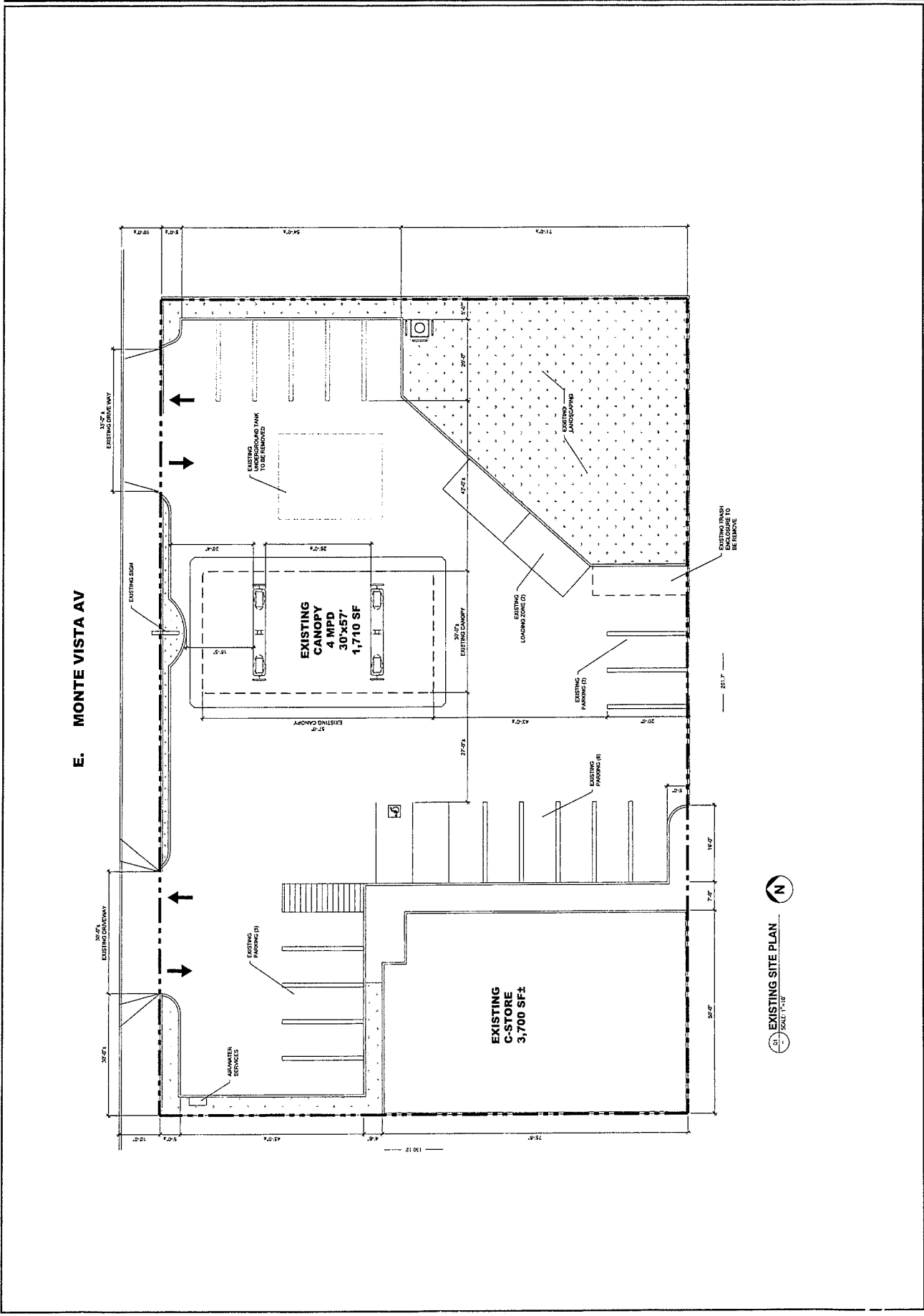
AGC DESIGN CONCEPT, INC.  
 2854 CONVENT RD  
 TURLOCK, CA 95354  
 PHONE 831.251.1111  
 FAX 831.251.1111

NO	DATE	REVISIONS

**ARCO GAS STATION**  
 150 E MONTE VISTA AVE.  
 TURLOCK, CA  
 EXISTING SITE PLAN

PROJECT NUMBER	
DATE	
DRAWN BY	
CHECKED BY	
SCALE	

SHEET NUMBER  
**CUP-1**



EXISTING SITE PLAN  
 SCALE: 1/4" = 1'-0"

**SITE INFORMATION**

AREA OF PROPERTY	DESCRIPTION	PRESENT	AREA
CROSS AREA			26,134 SQ. FT.
REGULATORY CONSTRAINTS			
NET BALANCE AREA			0.00 ACRES
CROSS AREA (IF APPLICABLE)			
EXISTING C-STORE			3,700 SQ. FT.
NEW CANOPY			3,321 SQ. FT.
TOTAL BRANDING AREA			8,711 SQ. FT.

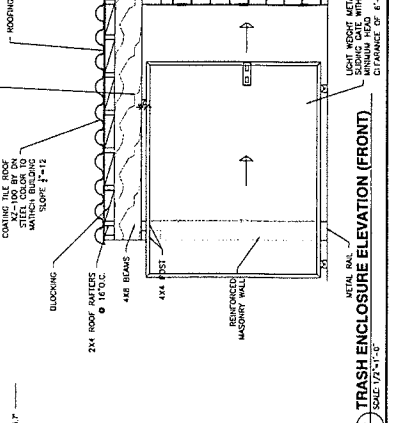
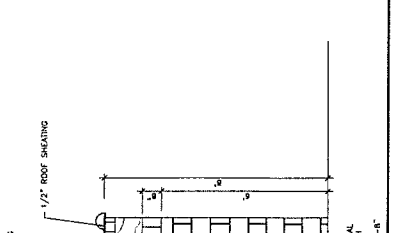
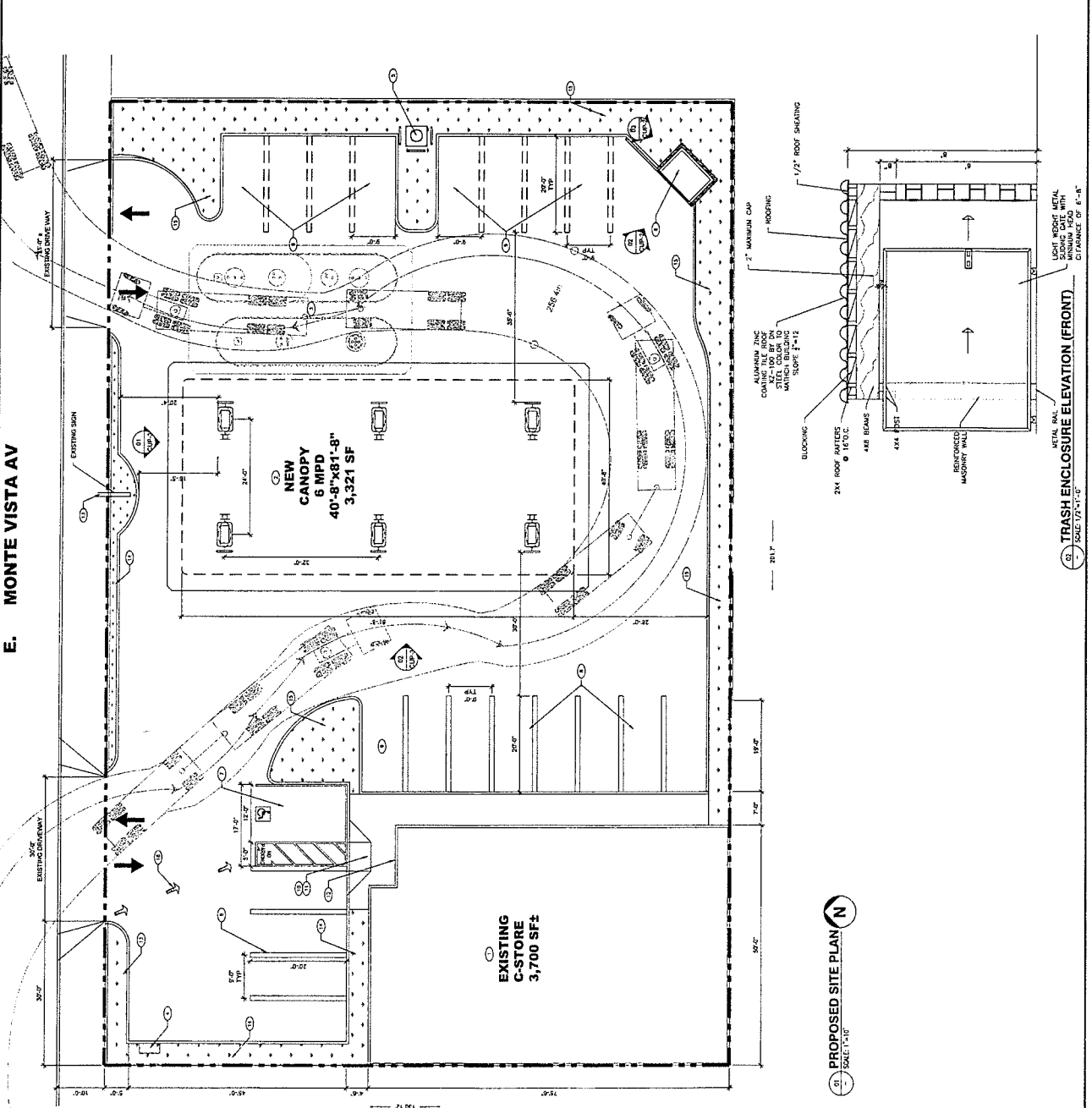
DESCRIPTION	SIZE	DATE	STATUS	AREA
EXISTING C-STORE	37'-0" x 75'-0"	10/2008	TO REMAIN	3,700 SQ. FT.
EXISTING CANOPY	37'-0" x 37'-0"	10/2008	TO REMAIN	1,379 SQ. FT.
NEW CANOPY	40'-8" x 81'-8"	11/2011	PROPOSED	3,321 SQ. FT.
TOTAL BRANDING AREA				8,711 SQ. FT.

DESCRIPTION	PER 200 U.T.	RECD. J
EXISTING C-STORE	3,700 SQ. FT.	14.8 SPACES
NEW CANOPY	3,321 SQ. FT.	12.5 SPACES
TOTAL PARKING SPACES REQUIRED		

DESCRIPTION	SIZE	PROVIDED
EXISTING (CONCRETE)	6'-0" x 6'-0"	3
NEW (CONCRETE)	17'-0" x 6'-0"	3
ACCESSIBLE (SHEET)		

**KEY PLAN**

- EXISTING C-STORE 3,700 SF ±
- NEW CANOPY 3,321 SF ±
- NEW UNDERGROUND TANK
- EXISTING AIR AND WATER MACHINE
- EXISTING HEAT TANK
- NEW IRON ENCLOSURE, SET RELAYING Q2 AND Q3 / J05P-2
- NEW ACCESSIBLE PARKING SPACE
- NEW STAIRS
- NEW STAIRS DOORS
- TRUNCATED DOME
- NEW ACCESSIBLE PARKING
- NEW ACCESSIBLE PARKING SIGN
- NEW MANHOLE
- EXISTING LANDSCAPE
- NEW LANDSCAPE AND CURB
- ACCESSIBLE PATH OF TRAVEL FROM PUBLIC R.O.W. TO NEW CANOPY
- VERIFY COMPLIANCE ON FIELD.





ARCO DESIGN CONCEPT, INC.  
2824 CONVENTOR BLVD  
TURLOCK, CA 95354  
PHONE: (209) 285-1111

NO.	DATE	REVISIONS

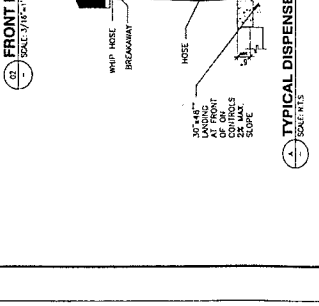
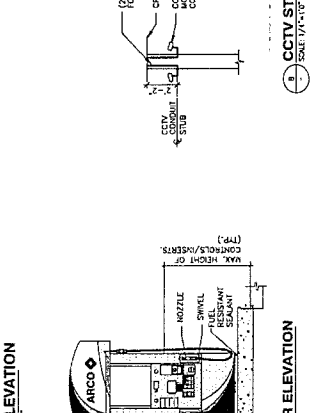
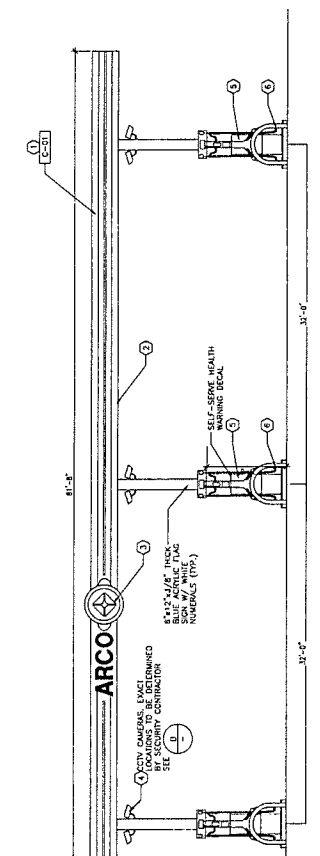
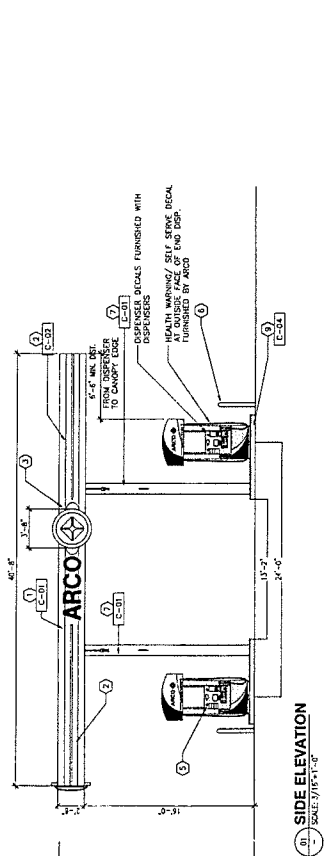
ARCO GAS STATION  
150 E. MONTE VISTA AVE.  
TURLOCK, CA  
CANOPY ELEVATIONS

PROJECT NUMBER	CUP-3
DATE	
DESIGNED BY	
DRAWN BY	
CHECKED BY	
APPROVED BY	
SCALE	

- KEYED NOTES:**
1. 6 GAL. ARCO
  2. NEW FLAT WITH GAMING RECOMMENDED "TECA" FINISH - WITH 2" DROP CANOPY AND LED LIGHT, OVER CANOPY AREA
  3. CITY CAMERA, EXACT LOCATIONS TO BE DETERMINED BY SECURITY CONTRACTOR
  4. DISPENSER (PP)
  5. CROSS BEAM (PP)
  6. 30" X 48" AT FRONT CONTROLS SEPARATE SCOPER
  7. (E-C-01) AND (PP) CROSS-BEAM
  8. NOT USED
  9. SIGNIFY FORM

- EXTERIOR PAINTS:**
- (E-01) COLOR: PEARL PALLADIUM
  - (E-02) COLOR: POLYBLK
  - (E-03) COLOR: ANOULIGHTBLU
  - (E-04) COLOR: POLYBLK
  - (E-05) COLOR: PEARL PALLADIUM
  - (E-06) COLOR: PEARL PALLADIUM
  - (E-07) COLOR: PEARL PALLADIUM

NOTE: ALL SIGNAGE UNDER SEPARATE PERMIT



**SCALE: 3/16"=1'-0"**

**SCALE: 3/16"=1'-0"**

**SCALE: 3/16"=1'-0"**

**SCALE: 3/16"=1'-0"**